

Symmetrical Horn Carrier Class Gen 2

HORN ANTENNA WITH N-FEMALE CONNECTORS

Symmetrical Horn CC Antennas Gen2 offer unique RF performance in a compact package. Scalar horn antennas have symmetrical main beam with identical beam width in Vertical and Horizontal plane. Exceptionally small side lobes ensure remarkable interference suppression. HG3-CC Gen2 Antennas are ideal for coverage of areas with clients close to the installation site, where null zone issues exist. High density AP clusters and radio co-location is made possible due to unique radiation patterns and compact size.

Symmetrical Horn CC Antennas Gen2 feature multiple improvements of RF performance and design, namely, optically lighter body and significantly improved bracket. Radome is made of more resistant material, and all of HG3-CC Gen2 antennas use only two radome sizes. HG3-CC Gen2 antenna is equipped with N-female connectors.



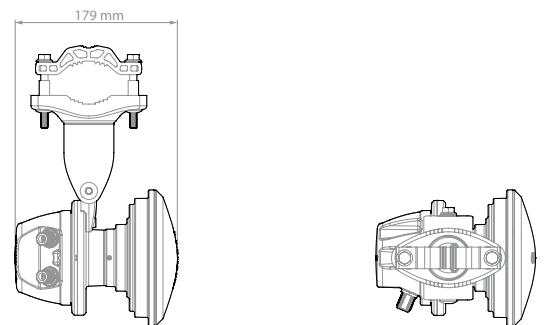
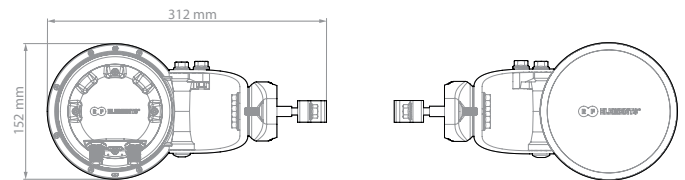
TECHNICAL DATA

| | |
|------------------------|--|
| Radio Connection | 2x N Female Bulkhead Connector |
| Antenna Type | Horn |
| Materials | UV Resistant polycarbonate, Polypropylene, Aluminium, Zinc, Stainless Steel |
| Environmental | IP55 |
| Flame Rating | UL 94 HB |
| Pole Mounting Diameter | 30-80 mm (we recommend as close to 80mm as possible) |
| Temperature | -30°C to +55°C (-22°F to +131°F) |
| Wind Survival | 160 km/hour |
| Wind Loading | 22 N at 160 km/hour |
| Mechanical Tilt | ± 25° |
| Weight | 1.9 Kg / 4.1 lbs – single unit 2.7 Kg / 5.9 lbs – single unit including package 27.7 Kg / 61 lbs – carton (10 units) |
| Single Unit | Retail Box: 305 x 239 x 183 mm / 12 x 9.4 x 7.2 inch |
| 10 Units | Carton Box: 940 x 510 x 335 mm / 37 x 20 x 13.2 inch |

PERFORMANCE

| | |
|----------------------------|---------------------|
| Frequency Range | 5180 - 6400 MHz |
| Gain | 13,2 dBi |
| Azimuth/Elevation BW -3 dB | H 41° / V 41° |
| Azimuth/Elevation BW -6 dB | H 60° / V 60° |
| Front-to-Back Ratio | 32 dB |
| VSWR Max 5180-5850 MHz | 1.6 |
| VSWR Max 5850-6400 MHz | 1.9 |
| Beam Efficiency** | 90% |
| Polarization | Double Linear H + V |
| Impedance | 50 Ohm |

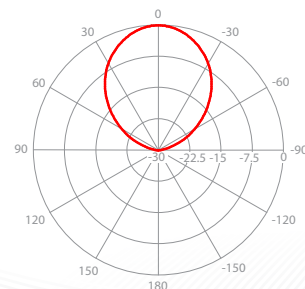
PRODUCT DIMENSIONS



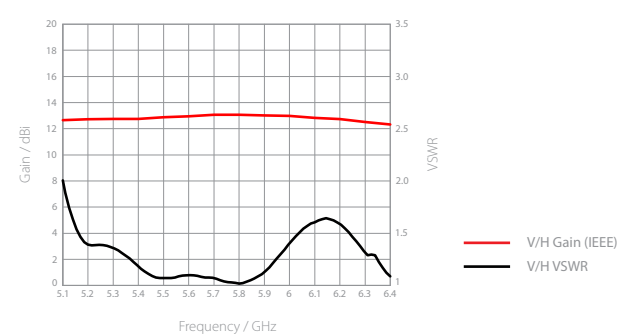
AZIMUTH PATTERN



ELEVATION PATTERN



GAIN



**Beam efficiency defined up to first null

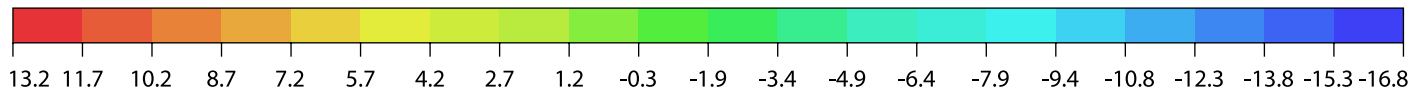
3D RADIATION DIAGRAM

SCALE: 30dBi

COMPATIBLE WITH: ADOBE ACROBAT READER DC. NOT SUPPORTED ON MOBILE.

USE MOUSE TO ROTATE THE DIAGRAM. SCROLL IN/OUT TO ZOOM IN/OUT

dBi



| | | | | | |
|-------|------|-------|------|----|------|
| FRONT | BACK | RIGHT | LEFT | UP | DOWN |
|-------|------|-------|------|----|------|